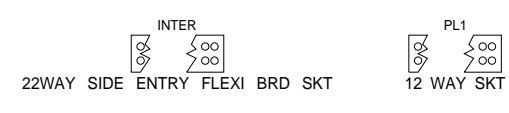
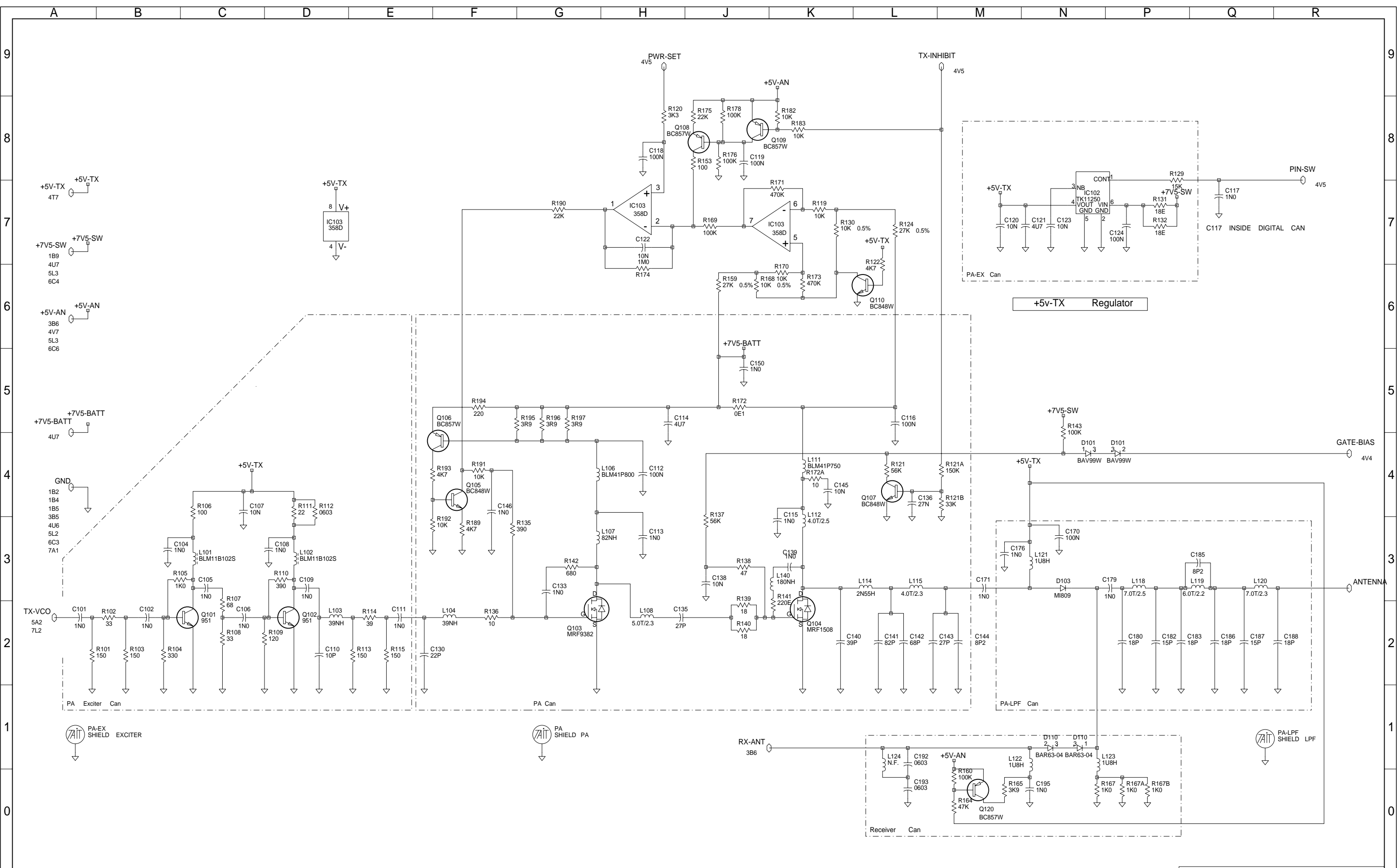


04B	CCO NO.1588-012 DIG CAN ATL:2	BRD			03-02-2K
04A	CCO 1588/005.009.010	CM/BD/CK			16/11/99
03B	4 SPR.PINS TO SMD. SEALS NONSMD	TS			06/10/99
02B	PARTS ADDED TO SAVE POWER	BRD			11/06/99
02B	GEN-NEW PASTE SCREEN FOR DEK	BRD			02/06/99
02A	MINOR MOD TO CCT AND VALUES	SP/CJK			25/05/99
01A	NEW PA LINEUP	BCS/CJK			12/02/99
REV/ISS	AMENDMENTS	DRAWN	CHKD	D.O.	APVD DATE



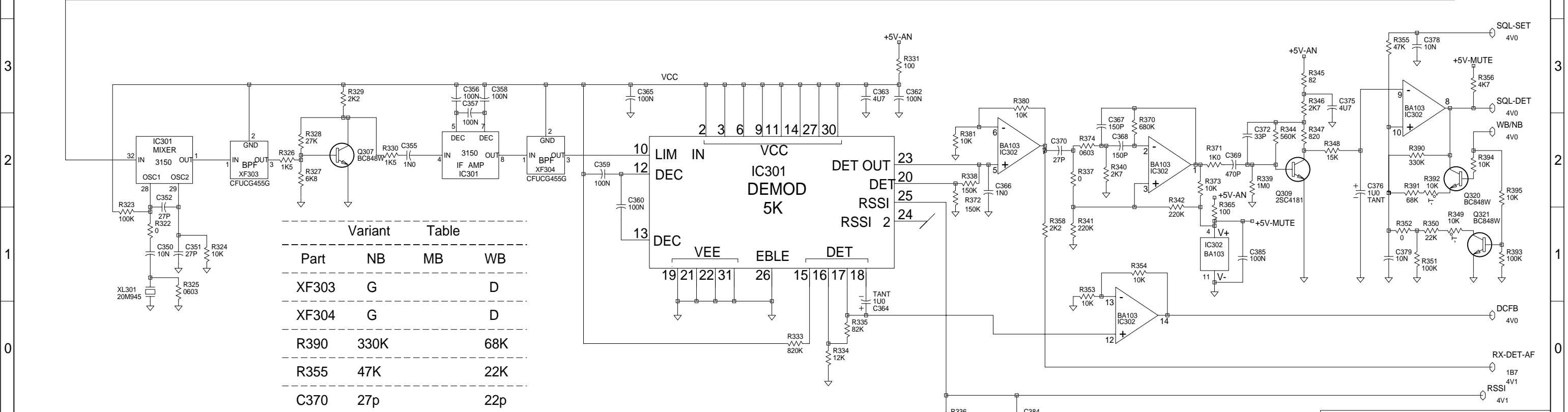
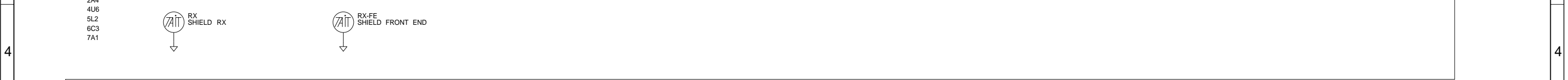
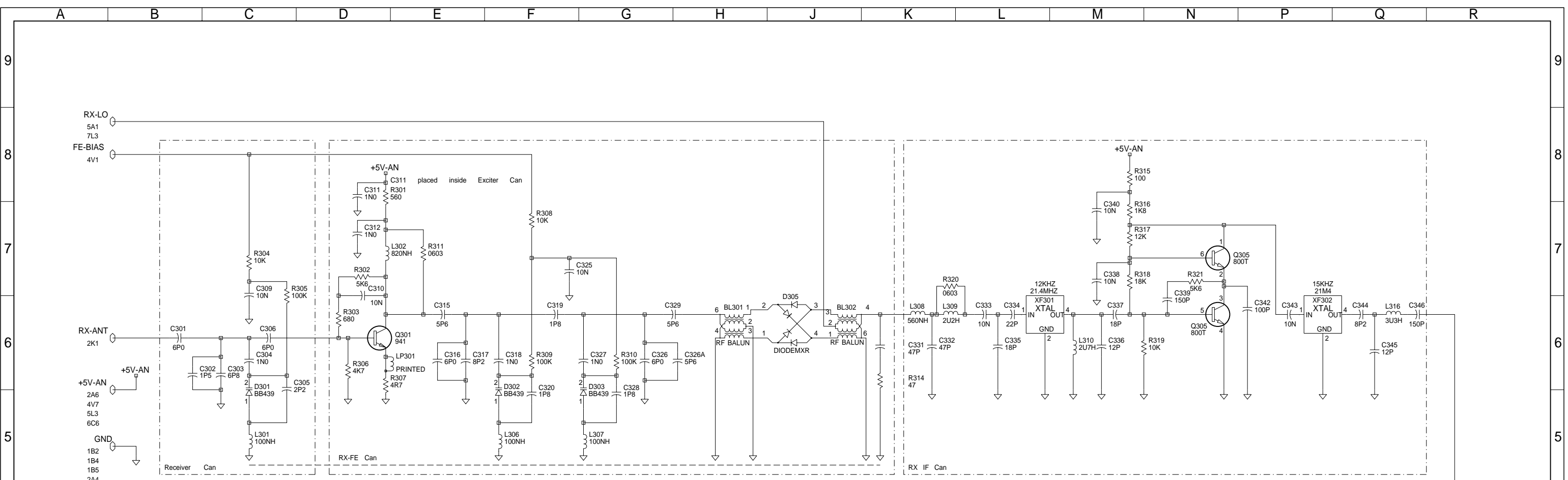
VHF
 Tait Orca

© TAIT ELECTRONICS	
ORCA	:TP010-3122 136-174MHZ
SYSTEM DIAGRAM	
IPN: 220-01588-04	ISSUE: B
DESIGNER: TAIT ORCA	FILE DATE: 7-Feb-00
BRD: 158804b	NO. SHEETS: 7



TAIT ELECTRONICS			
ORCA		TP010-3122	136-174MHZ
POWER AMPLIFIER			
IPN:	ISSUE:	ID:	
220-01588-04	B	2.S.C. 2	
PROJECT:	DESIGNER:	FILE NAME:	FILE DATE:
TAIT ORCA	BRD	158804b	7-Feb-00
			NO.SHEETS: 7

REV/ISS	AMENDMENTS	DRAWN	CHKD	D.O.	APVD	DATE
A						

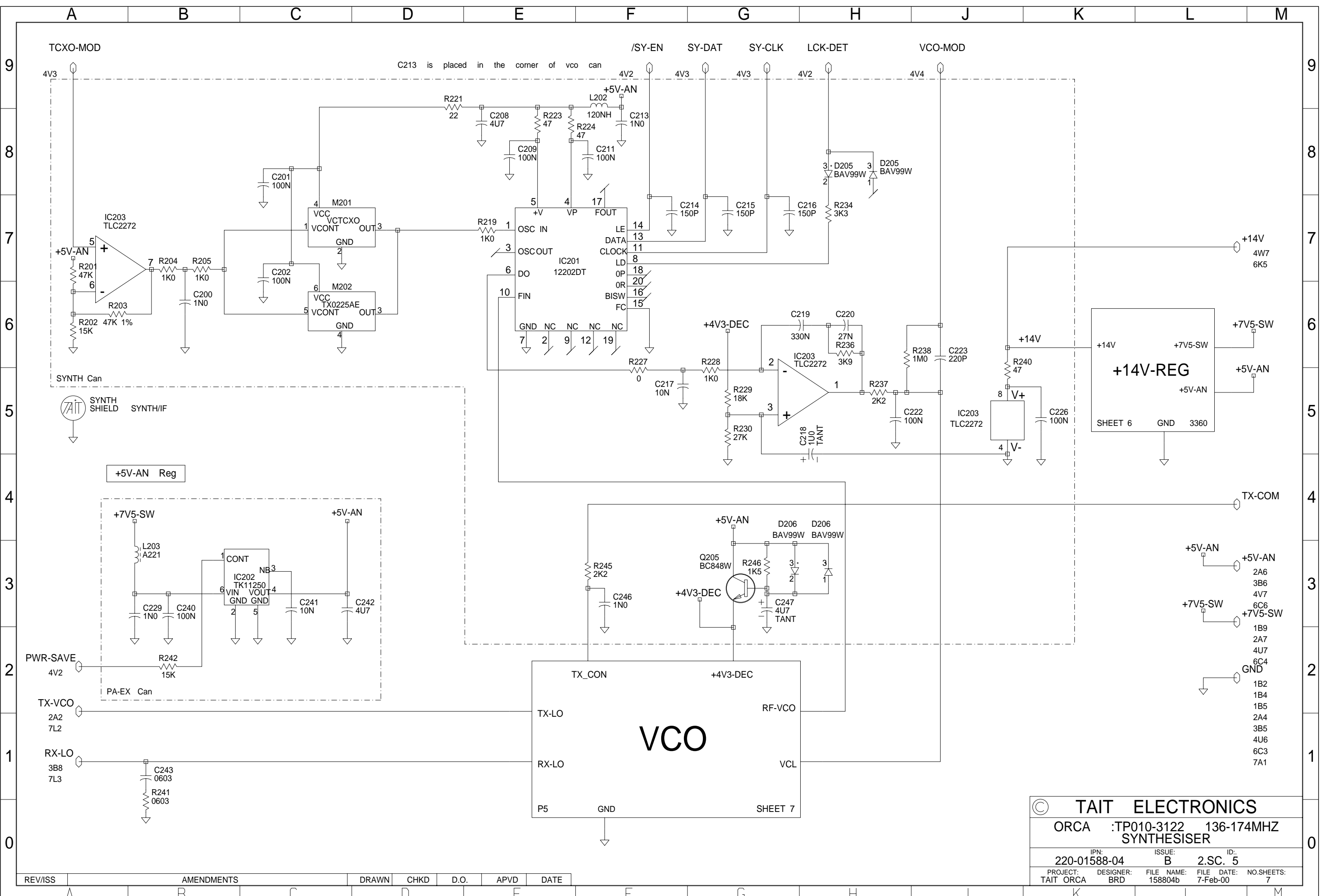


Variant Table

Part	NB	MB	WB
XF303	G		D
XF304	G		D
R390	330K		68K
R355	47K		22K
C370	27p		22p
C369	470p		330p

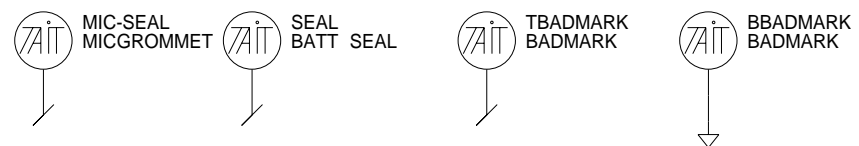
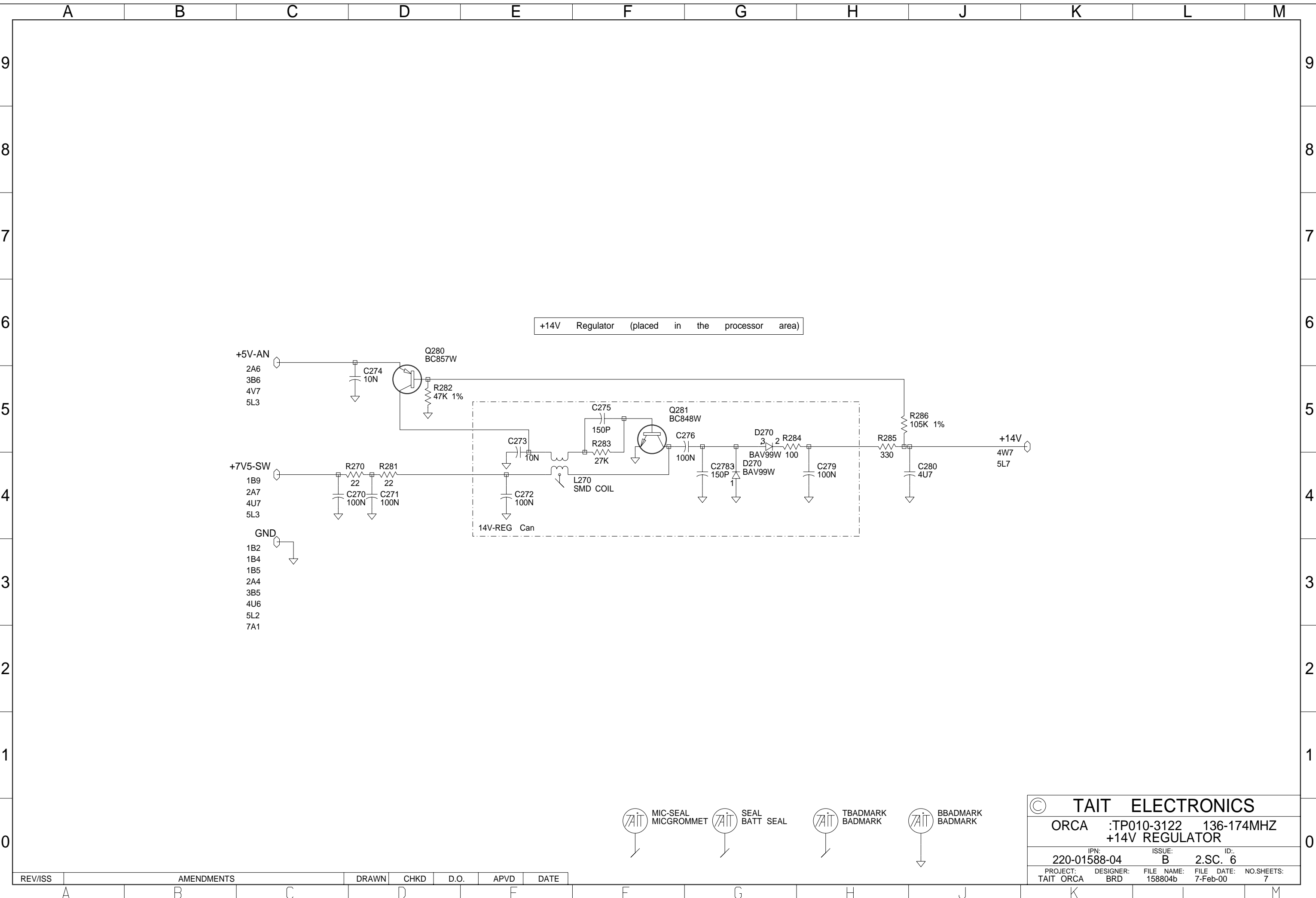
TAIT ELECTRONICS
 ORCA :TP010-3122 136-174MHZ RECEIVER
 IPN: 220-01588-04 ISSUE: B 2.S.C. 3
 PROJECT: TAIT ORCA BRD DESIGNER: FILE NAME: 158804b DATE: 7-Feb-00 NO.SHEETS: 7

REV/ISS	AMENDMENTS	DRAWN	CHKD	D.O.	APVD	DATE



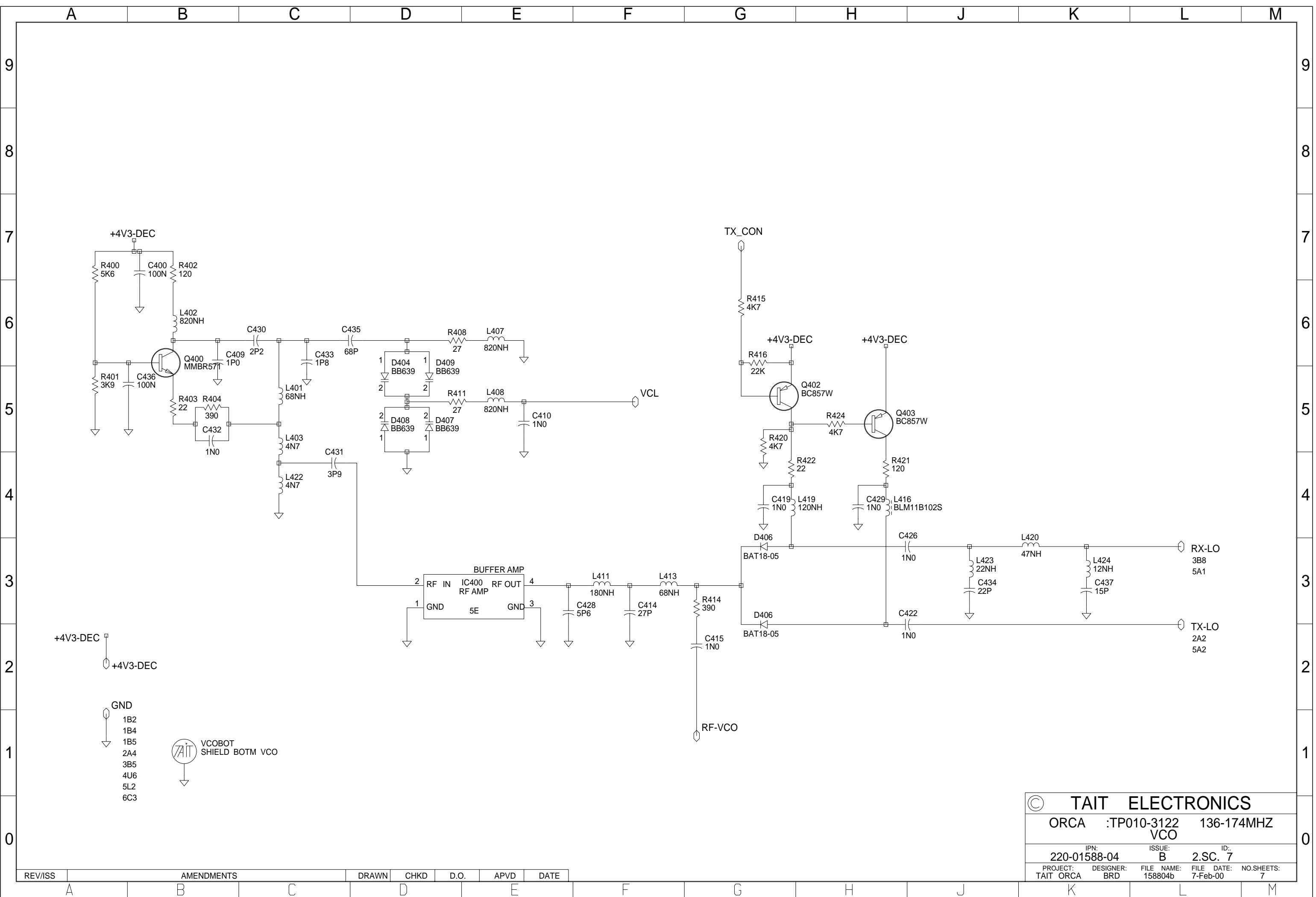
© TAIT ELECTRONICS
 ORCA :TP010-3122 136-174MHZ SYNTHESISER
 IPN: 220-01588-04 ISSUE: B ID: 2.SC. 5
 PROJECT: TAIT ORCA DESIGNER: BRD FILE NAME: 158804b FILE DATE: 7-Feb-00 NO.SHEETS: 7

REV/ISS	AMENDMENTS	DRAWN	CHKD	D.O.	APVD	DATE



© TAIT ELECTRONICS				
ORCA		:TP010-3122	136-174MHZ	
+14V REGULATOR				
IPN:		ISSUE:		ID:
220-01588-04		B		2.SC. 6
PROJECT:	DESIGNER:	FILE NAME:	FILE DATE:	NO.SHEETS:
TAIT ORCA	BRD	158804b	7-Feb-00	7

REV/ISS	AMENDMENTS	DRAWN	CHKD	D.O.	APVD	DATE



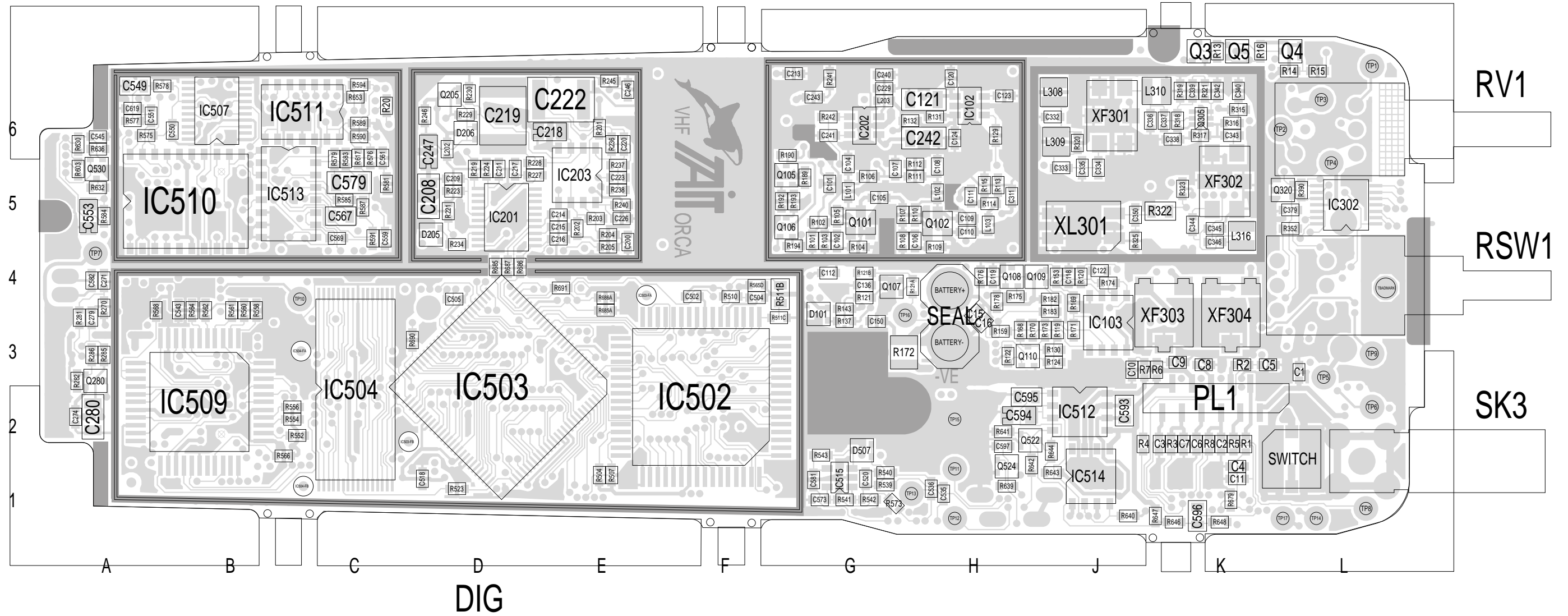
© TAIT ELECTRONICS
 ORCA :TP010-3122 136-174MHZ VCO
 IPN: 220-01588-04 ISSUE: B ID: 2.SC. 7
 PROJECT: TAIT ORCA DESIGNER: BRD FILE NAME: 158804b FILE DATE: 7-Feb-00 NO.SHEETS: 7

REV/ISS	AMENDMENTS	DRAWN	CHKD	D.O.	APVD	DATE

AUDIO

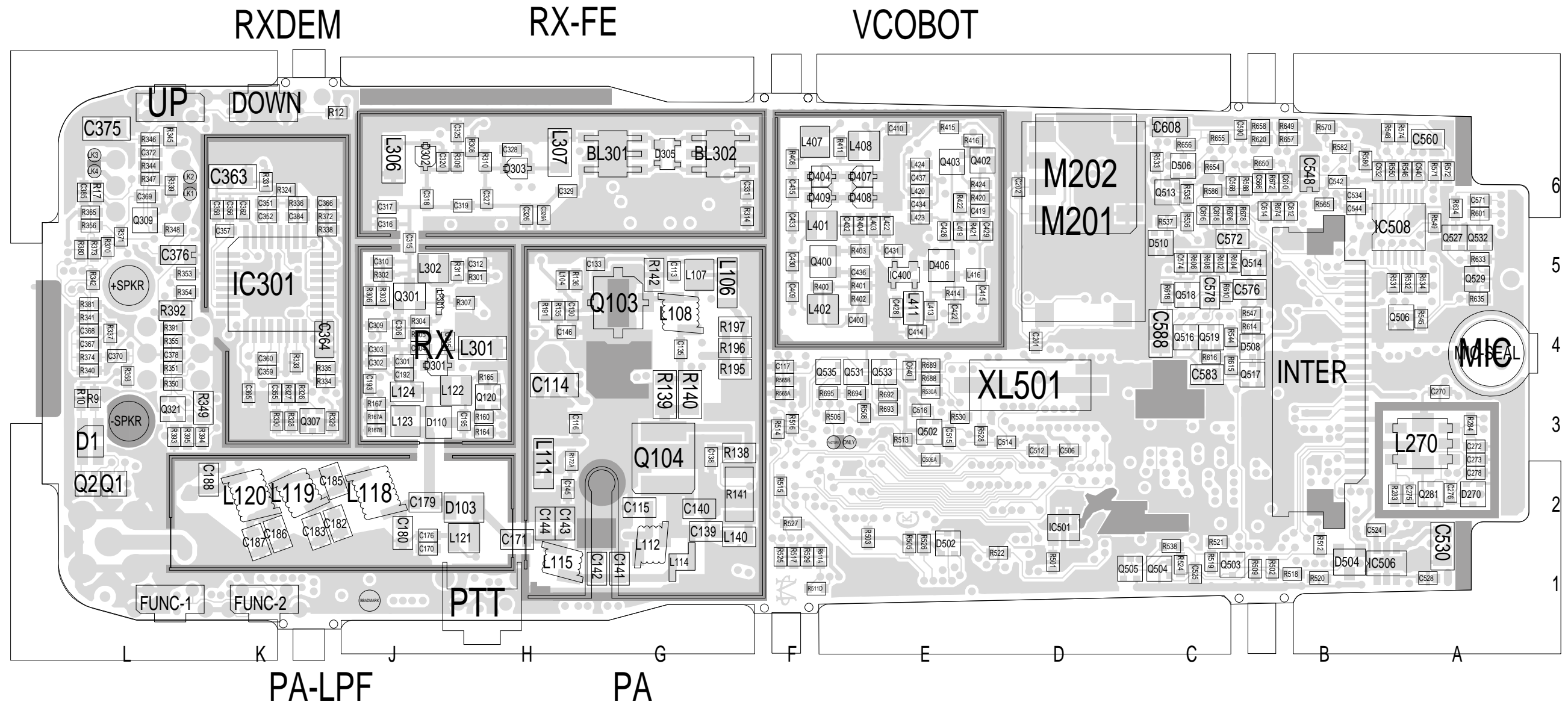
SYNTH

PA-EX



TAIT ELECTRONICS	IPN: 220-01588-04	ISS: A	ID: 1.TA	DATE: 16 Nov 1999
ORCA VHF PCB LAYOUT - TOP SIDE				

Scale: 2.3:1 ; Rotation: 0 degrees



TAIT ELECTRONICS IPN: 220-01588-04 ISS: A ID: 6.BA DATE: 16 Nov 1999
 ORCA VHF PCB LAYOUT - BOTTOM SIDE

Scale: 2.3:1 ; Rotation: 0 degrees